

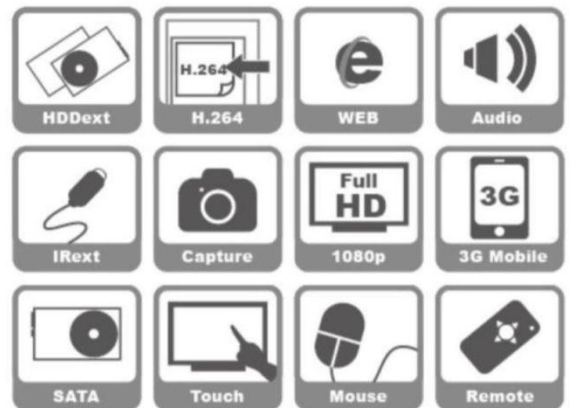


DN408

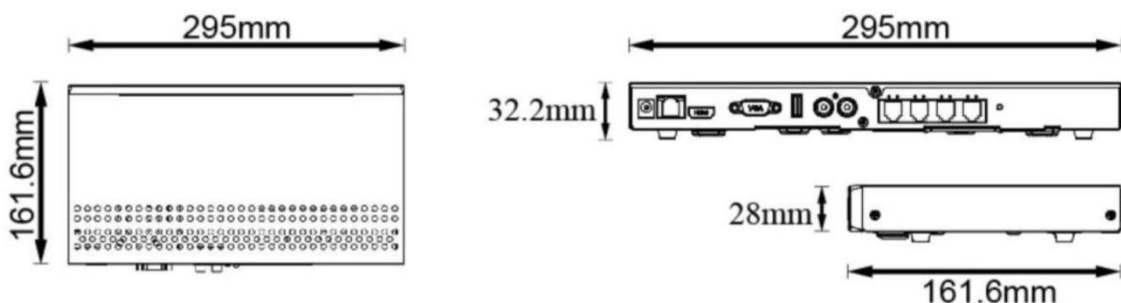
4CH + 4CH PoE Network Video Recorder

Features:

- Smallest Mini 0.8U
- Max. 1600x1200 @ 120fps
- Simultaneous 4/8 CH Playback
- 4 Ports 24V PoE
- Fan Speed Control
- Touch Panel Fluent Control
- Latency Less Than 1 sec.
- Support Playback Via iOS & Android
- IP Cam Setting Through NVR
- Easy Installation (Plug & Play)
- Similar Structure as CCTV



Dimension:



DN408



4CH + 4CH PoE Network Video Recorder

SYSTEM		PLAYBACK	
Operating System	Linux (embedded)	Channels	Max. 8Ch
Pentaplex	Simultaneous View, Record, Playback, Backup & Remote Monitoring	Playback Speed	Single Frame, Forward / Rewind (x5, x15, x60)
Number of Channels	4 + 4 Channels	Search	By time or event
INPUTS / OUTPUTS		Log Search	Yes (max. 8192 events)
Camera Input	4Ch(PoE) + 4Ch(LAN)	STORAGE & ARCHIVE	
Video Output (VGA)	Up to 1920x1080	Storage	Internal HDD x1, External USB HDD x1
Video Output (HDMI)	Up to 1920x1080	Maximum Capacity	4TB
Audio Out	RCA x2 (Left & Right)	Backup Media	USB Flash Drive & External HDD
USB Port	3	Backup File Format	MOV
DISPLAY / OPERATIONS		Raid Support	Raid0 / Raid1(Mirror)
Live Display	Up to 8	CONNECTIVITY	
Live Display Speed	Up to 120 fps	Easy Connect	UPnP Supported
OSD	Yes	Supported Operating Systems	Windows™ 8/7/Vista/XP
System Navigation	USB Mouse, IR Remote Controller, Touch Monitor Control	Browsers	Internet Explorer & Safari & Chrome & Firefox
Split Screen	1, 4, 9	Email notification	Yes
Motion Area Setting	Yes (50x37)	Smart Phone Compatibility	iOS, Android
Motion Sensitivity	100 levels	DDNS	Yes
Digital Zoom	Yes, 1x ~ 4x	System Configuration	Full setup configuration over network
Privacy Mask	Yes	Network Protocol	TCP/IP, PPPoE, DHCP, DNS, DDNS, NTP, SMTP, UPnP
User Authority	Yes	Network Interface	10/100 Mbps RJ45 x 1 Independent 10/100 Mbps RJ45 (PoE) x 4
Time Synchronization	NTP Supported	GENERAL	
Firmware Upgrade	Via USB flash drive	Power Consumption	DC12V, 4A, 48W
RECORDING		Supply Voltage	100~240VAC
Compression Type	H.264	Unit Dimensions (W x D x H)	295 × 161.1 × 32.2mm
Compression Rate	300:1	Unit Weight	0.85Kg (without HDD)
Recording Resolution	Up to 1600x1200	Operating temperature	5 ~ 40°C
Recording Speed	Up to 120 fps	Humidity	10 ~ 75%
Recording Quality Control	5 levels		
Recording Schedule	Manual / Schedule / Event		
Pre Recording	Up to 15 Secs		
Post Recording	Up to 10 Minutes		
Reliability	Auto-recovery after power resuming		



All specifications are subject to change without notice.
Copyright © 2013 Dynacom

