

3 MegaPixel 10x Optical Zoom AF IR LED Bullet IP Camera



WQ1012Z

3 Megapixel 10X Zoom IR LED Bullet IP Camera

- Support 3 Megapixel with 10 times optical zoom
- H.264, MPEG-4, M-JPEG, JPEG video encoding compression
- Optical Auto Focus Lens (5.1 mm ~51 mm)
- IR LED and external IR LED control with sensor
- Support triple encoding streams
- microSD Card recording and failover – auto recovery
- Support network self-adapting technology to adjust video frame rate automatically according to the network bandwidth

OPTICAL AUTOFOCUS ZOOM LENS

Equipped with 10x Optical Zoom Lens, 5.1~51 mm.



DAY & NIGHT

Supports day and night (D&N, IR) conditions with separate day and night image setting configuration for delivering the best image quality in day or night settings.



IP67

Durable construction with an Ingress Protection Rating making the camera dust tight and safe against temporary immersion in water.



EXTERNAL IR CONTROL

The built in IR cut filter will synchronously work with external IR control, switching automatically when IR lights turn on or off.

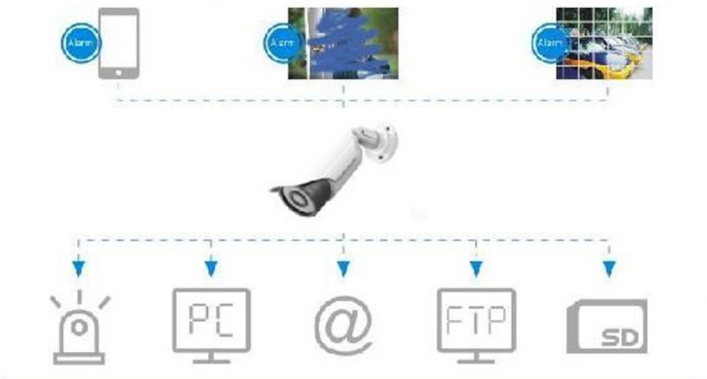


Alarm Event Control

Alarm Input Device (Sensor)

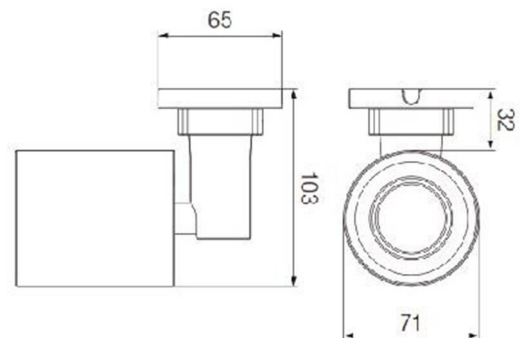
I.V. Detection

Motion Detection



Features

Model	WQ1012Z
Image Sensor	1/3" 3 Megapixel
Num. of Effective Pixels	2048 x 1536 HxV
Lens	10x Optical Zoom: 5.1~51mm
F.O.V.	54° (Wide)~4.9° (Tele) , 89° (Wide)~25° (Tele)
Minimum Illumination	0.1 Lux, 0 Lux (IR On)
Shutter Time (Sec.)	1/3 ~ 1/15000sec or ¼ ~ 1/15000sec Selectable
Auto Iris	DC Drive
S/N Ratio	More than 48 dB
Day/Night	Yes, Built-in ICR
Video Compression	Motion JPEG, MPEG-4, H.264 High Profile
H.264/MJPEG / MPEG4	20 fps: 3 MP; 30 fps: HD-1080p, HD-720p, SXGA, 1024 x 768, 800 x 600, D1,
Video Streaming	30 fps: HD-1080p, HD-720p, SXGA, 1024 x 768, 800 x 600, D1, VGA, QVGA
Video Output	Multiple Stream: Controllable Frame rate and Bandwidth CBR / VBR
Image setting	Compression, Brightness, Contrast, Mirroring, Sharpness, AWB, AES, AGC, BLC, Day/Night Mode, WDR
Security	Password Protection, IP Address Filtering, User Access Privilege
Network Protocols	TCP/IP, UDP, DHCP, PPPoE, HT TP, HT TPS, DNS, DynDNS, NTP, FTP, SMTP, RTP, RTSP, RTCP, 3GPP, UPnP, IPv4, SAMBA Client (NAS), IGMP, ICMP, ARP IGMP, ICMP, ARP
Intelligent Video	Video Motion Detection
Alarm Trigger	Intelligent Video, File Upload via FTP and E-mail, E-mail Notification with Snapshot Attachment, File Recording to microSD Card Remote
Web Browser	Microsoft IE, Mozilla Firefox, Google Chrome
Local Storage	microSD/SDHC Card Support
Casing	Metal (Aluminum), IP67, Vandal-proof
Dimension	71 (W) x 103 (H) x 160 (D) mm
Weight	720 g
Power	Power over Ethernet IEEE 802.3af, Max. 7.8 W, 12 Vdc
I/O Connectors	1. RJ-45 Female Type 10BASE-T/100BASE-T X 2. DC Power Jack for 12 Vdc Input 3. microSD Card Slot
Failover	microSD/SDHC Auto-recovery
Operating Condition	-25°C~55°C (-13°F~131°F) Humidity: 20%~85% RH
Included Accessories	CD-ROM (User Manual, Free Bundle NVR), Bracket
Approvals	FCC Part15 Subpart B, CE EN55022 Class B, EN55024, LVD, RoHS
IR Range	20 M
IR Wavelength	850 nm



Dimensions (mm)